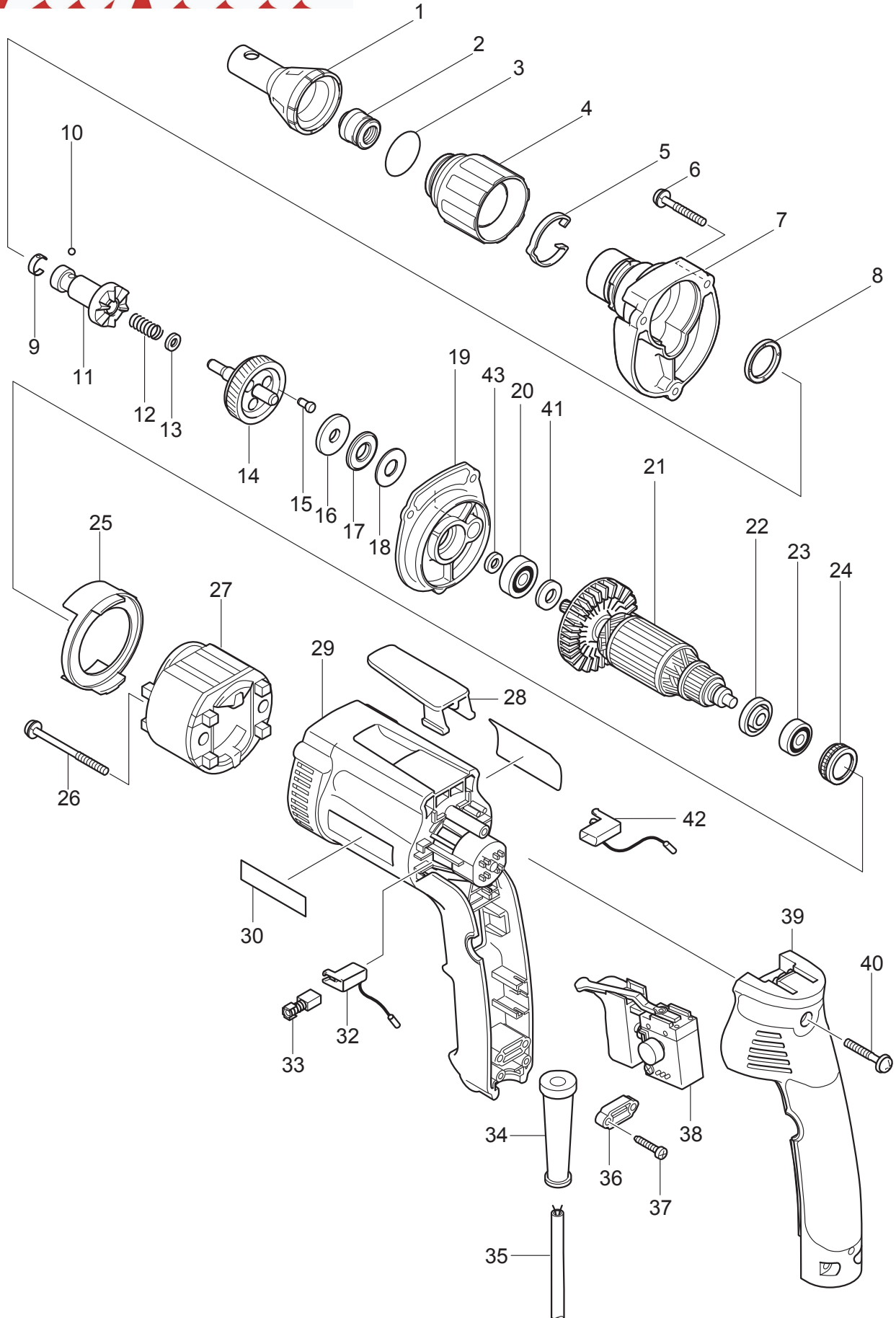




03 - 2010

6825

DRYWALL SCREWDRIVER 0-6000RPM



| Item No. | Type | Sub | Part No. | Description (*see service changes on the bottom) | Qty | Unit |
|----------|------|------|----------|--|-----|------|
| 1 | | | 151726-8 | LOCATOR COMPLETE | 1 | PC. |
| 2 | | | 421631-6 | DUST SEAL RING | 1 | PC. |
| 3 | | | 213373-4 | O RING 22 | 1 | PC. |
| 4 | | | 416994-3 | LOCK RING | 1 | PC. |
| 5 | | | 232154-7 | * LEAF SPRING | 1 | PC. |
| 6 | | | 265999-8 | TAPPING SCREW 4X25 | 3 | PC. |
| 7 | | | 151720-0 | GEAR HOUSING COMPLETE | 1 | PC. |
| 8 | | 1 | 421710-0 | RING 20 | 1 | PC. |
| | | 2 | 421766-3 | RING 20 | 1 | PC. |
| 9 | | | 232050-9 | LEAF SPRING | 1 | PC. |
| 10 | | | 216001-0 | STEEL BALL 3.5 | 1 | PC. |
| 11 | | | 151788-6 | SPINDLE COMPLETE | 1 | PC. |
| 12 | | | 233257-0 | COMPRESSION SPRING 8 | 1 | PC. |
| 13 | | | 267202-3 | FLAT WASHER 8 | 2 | PC. |
| 14 | | | 151791-7 | GEAR COMPLETE | 1 | PC. |
| 15 | | | 256467-2 | SHOULDER PIN 4 (OLD# 256439-7 - N/L/A) | 3 | PC. |
| 16 | | | 216213-5 | WASHER 824 | 1 | PC. |
| 17 | | | 216415-3 | THRUST NEEDLE GAUGE 821 | 1 | PC. |
| 18 | | | 216212-7 | WASHER 821 | 1 | PC. |
| 19 | | | 151722-6 | GEAR HOUSING COVER COMPLETE | 1 | PC. |
| 20 | | | 210007-0 | BALL BEARING 608VV | 1 | PC. |
| 21 | | | 517326-8 | ARMATURE ASS'Y 115V | 1 | PC. |
| | | INC. | 240022-0 | FAN 52 | 1 | PC. |
| | | INC. | | INC. 20,22,23,41 | | |
| 22 | | | 681636-0 | INSULATION WASHER | 1 | PC. |
| 23 | | | 211021-9 | BALL BEARING 607LLB | 1 | PC. |
| 24 | | | 421479-6 | RUBBER RING 19 | 1 | PC. |
| 25 | | | 416993-5 | BAFFLE PLATE | 1 | PC. |
| 26 | | | 266147-2 | TAPPING SCREW 4X55 | 2 | PC. |
| 27 | | | 633441-1 | FIELD 115V | 1 | PC. |
| 28 | | 1 | 416996-9 | * HOOK | 1 | PC. |
| | | 2 | 417625-7 | * HOOK | 1 | PC. |
| 29 | | 1 | 151793-3 | * MOTOR HOUSING COMPLETE | 1 | PC. |
| | | 2 | 151960-0 | * MOTOR HOUSING COMPLETE | 1 | PC. |
| | | 3 | 158709-9 | * MOTOR HOUSING COMPLETE | 1 | PC. |
| 30 | | | 819063-3 | MAKITA LABEL | 1 | PC. |
| 32 | | | 643948-9 | BRUSH HOLDER | 1 | PC. |
| 33 | | 1 | 191927-6 | CARBON BRUSH CB-407 2PC/SET (W/O ORIGIN) | 1 | SET |
| | | 2 | 195007-0 | CARBON BRUSH CB-407 2PC/SET (W/ ORIGIN) | 1 | PC. |
| 34 | | | 682559-5 | CORD GUARD 8 | 1 | PC. |
| 35 | | 1 | 664064-4 | CORD W/PLUG 2P-18-2.5M | 1 | PC. |
| | | 2 | 664891-9 | CORD W/PLUG 2P-18-2.5M | 1 | PC. |
| 36 | | | 687063-9 | CORD CLAMP | 1 | PC. |
| 37 | | | 265995-6 | TAPPING SCREW 4X18 | 2 | PC. |
| 38 | | | 651978-6 | SWITCH C3MA-2L | 1 | PC. |
| 39 | | 1 | 151725-0 | * HANDLE COVER COMPLETE | 1 | PC. |
| | | INC. | 263002-9 | * RUBBER PIN 4 | 2 | PC. |
| | | 2 | 151961-8 | * HANDLE COVER COMPLETE | 1 | PC. |
| | | INC. | 263002-9 | * RUBBER PIN 4 | 2 | PC. |
| | | 3 | 158710-4 | * HANDLE COVER COMPLETE | 1 | PC. |
| | | INC. | 263002-9 | * RUBBER PIN 4 | 2 | PC. |
| 40 | | | 265999-8 | TAPPING SCREW 4X25 | 3 | PC. |
| 41 | | | 253139-0 | FLAT WASHER 8 | 1 | PC. |
| 42 | | | 643951-0 | BRUSH HOLDER | 1 | PC. |
| 43 | | | 262087-2 | RING 8 | 1 | PC. |

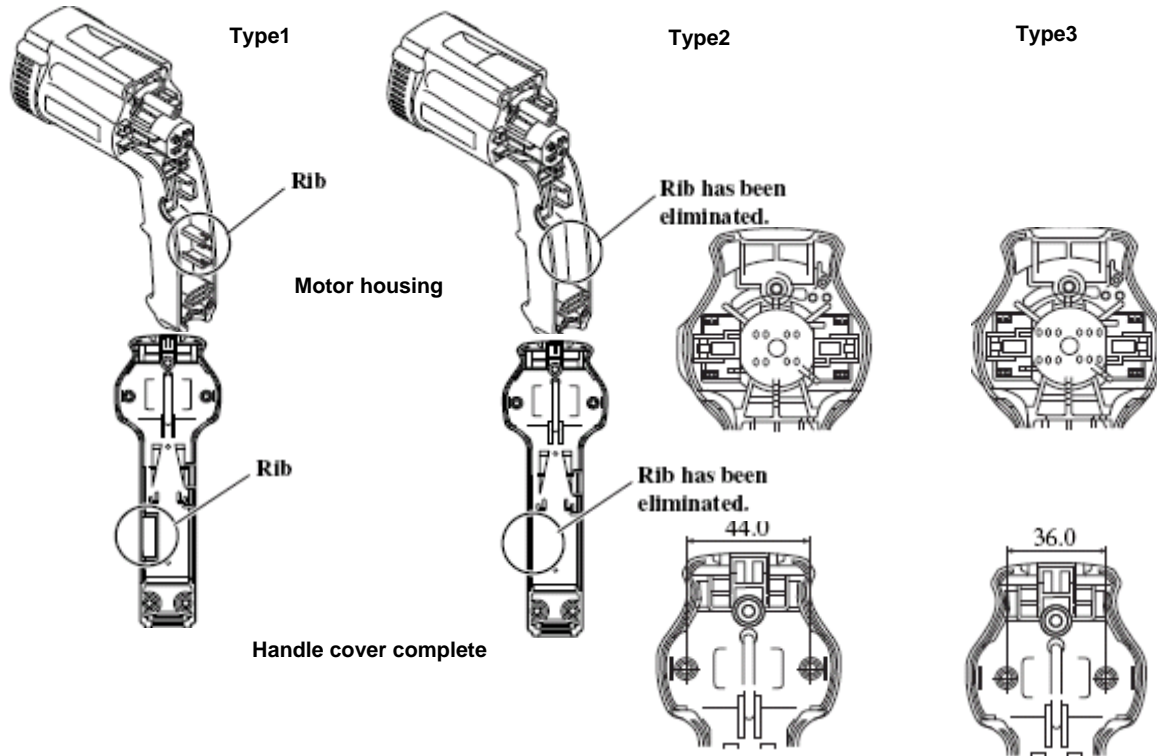
| <u>Item No.</u> | <u>Type</u> | <u>Sub</u> | <u>Part No.</u> | <u>Description (*see service changes on the bottom)</u> | <u>Qty</u> | <u>Unit</u> |
|---------------------------|-------------|------------|-----------------|---|------------|-------------|
| <u>ACCESSORIES</u> | | | | | | |
| A01 | | | 784211-2 | PHILLIPS INSERT BIT 2-25 | 1 | PC. |
| A02 | | | 784801-1 | MAGNETIC BIT HOLDER 6.35-76 | 1 | PC. |

SERVICE CHANGES

1. Changes on Motor Housing and Handle Cover Complete

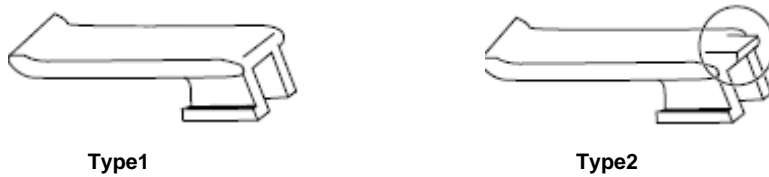
| Item No. | Description | Type 1 | Type 2 | Type 3 |
|----------|-------------------|----------|----------|----------|
| 29 | Motor Housing | 151793-3 | 151960-0 | 158709-9 |
| 39 | Handle Cover Com. | 151725-0 | 151961-8 | 158710-4 |

Above parts are completely interchangeable as a set.



2. Changes on Hook

| Item No. | Description | Type 1 | Type 2 |
|----------|-------------|----------|----------|
| 28 | Hook | 416996-9 | 417625-7 |



3. Changes on Leaf Spring

| Item No. | Description | Type 1 | Type 2 |
|----------|-------------|-------------------------------------|--------|
| 5 | Leaf Spring | 232154-7 (Part No. remain the same) | |

